

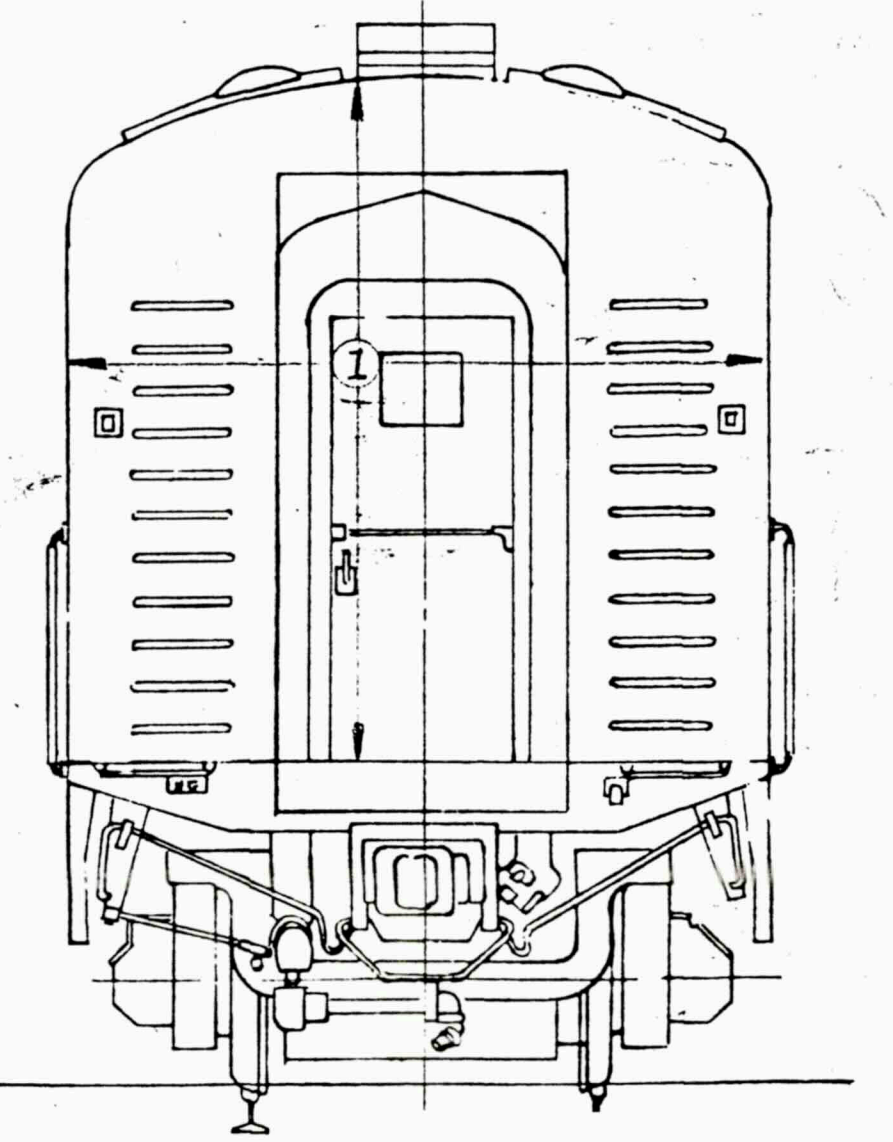
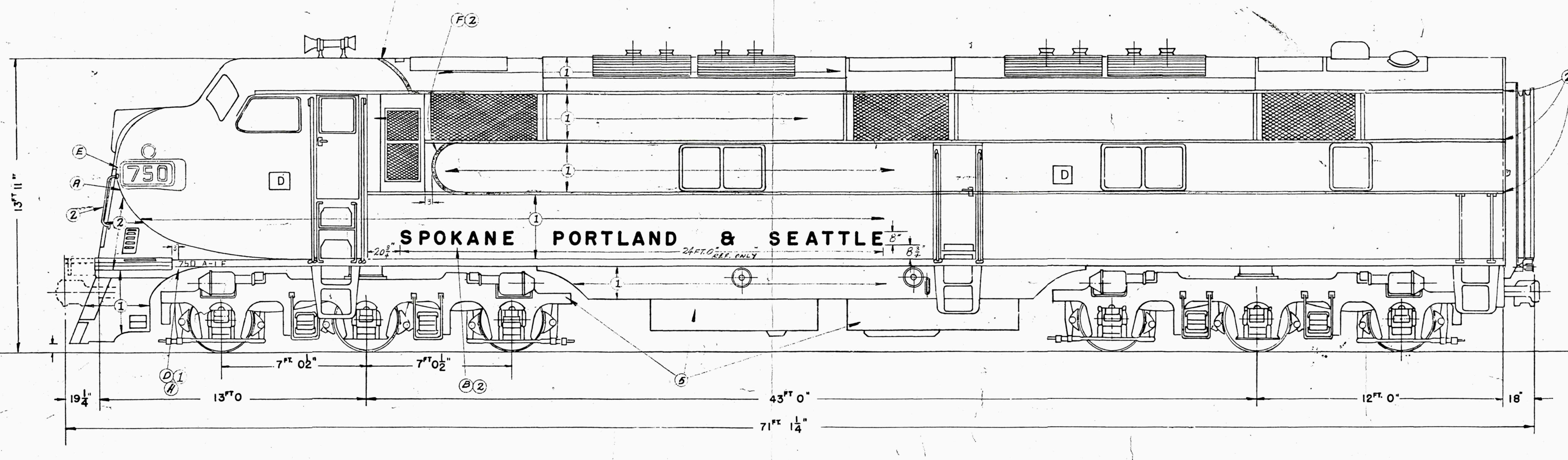
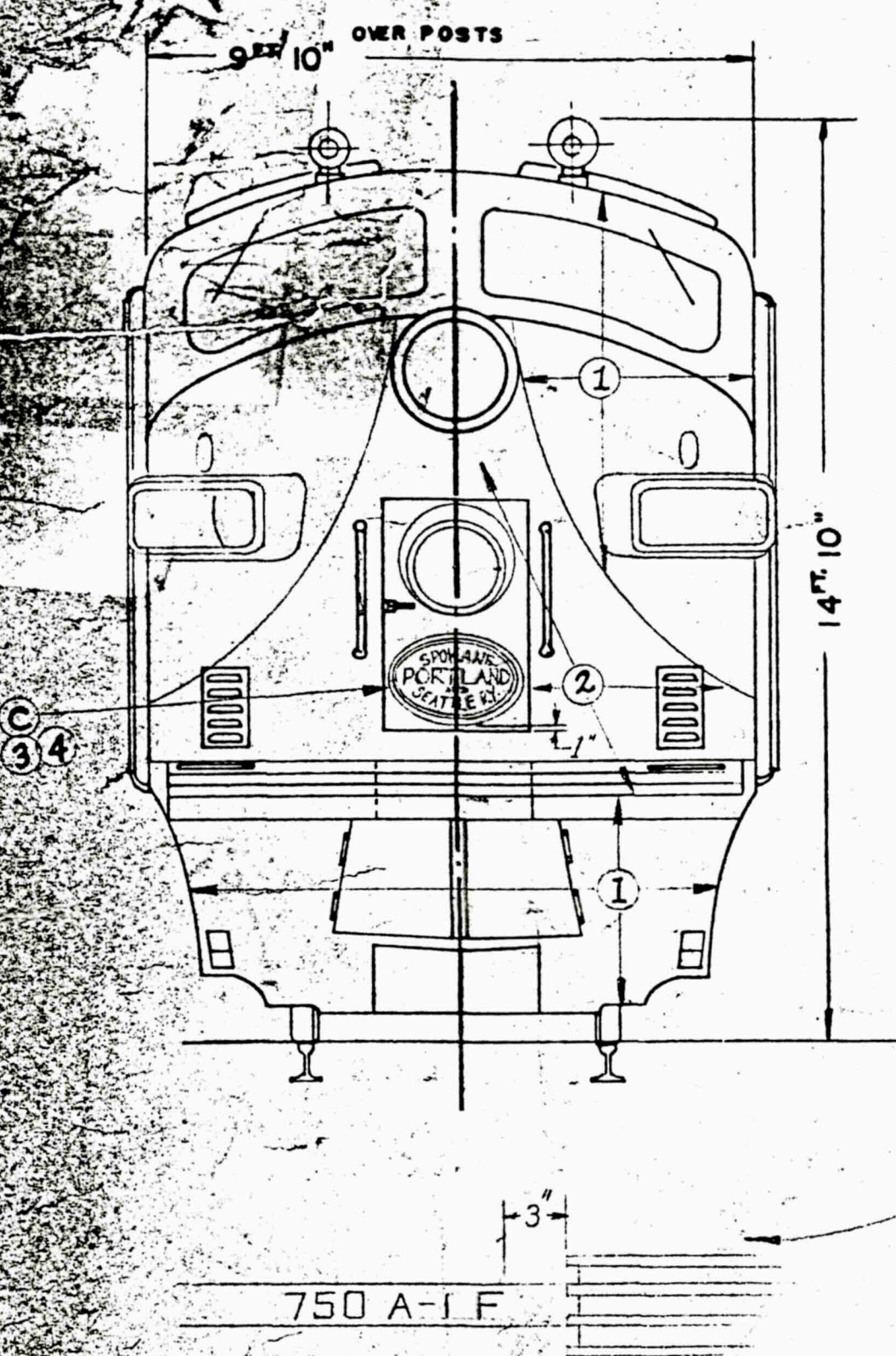
STYLING & PAINTING DATA
COLORS AND QUANTITIES REQUIRED PER LOCOMOTIVE UNIT

- 1 GREEN - DUPONT DUCO - 254-35441
- 2 YELLOW - DUPONT DUCO - 254-54015
- 3 WHITE - DUPONT DUCO - 254-1
- 4 BLACK - DUPONT DUCO - 254-2234
- 5 BLACK - DUPONT DULUX - 88-005

PAINTING DETAILS

Ⓐ 8121930 - NOSE PATTERN	Ⓒ INSIDE MARKING - 8124358
Ⓑ 8121929 - 8" LETTERBOARD	Ⓓ 8123091 - 3" NUMERALS
Ⓔ 8136720 - MEDALLION	
Ⓚ 8071350 - 3" LETTER "F"	
Ⓛ 8110843 - 9" NO. BOX NUMERALS	
Ⓜ 8136783 - STRIPE TERMINATION	

REMARKS



RIGHT SIDE APPLICATION

2000 H.P. STREAMLINER "A" UNIT

STYLING & PAINTING

FIRST USED ON E1088 - SPOKANE PORTLAND & SEATTLE

DR. <i>Barbara</i> Date 5-18-48	APPROVED	DRAWING NO.
CH. <i>Arlo</i> 6-2-48		8136782
INSP. <i>W</i> 6.2.48		
DATE OF PRINT	REVISION	