

Enjoy comfort with privacy

B&O's NEW TYPE ROOMETTE-BEDROOM SLEEPERS

to St. Louis, Texas and Oklahoma

Diesel Service all the way

Thru cars daily to St. Louis, Dallas,
Fort Worth, San Antonio via

The National Limited

Lv. Washington 6:30 PM

Lv. Silver Spring 6:44 PM

Thru cars daily to St. Louis, Tulsa,
Oklahoma City via

The Diplomat

Lv. Washington 10:30 PM

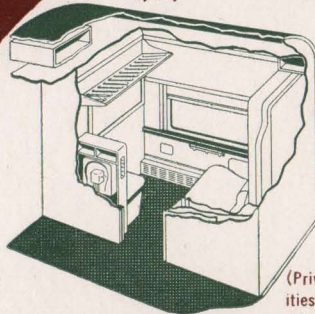
Lv. Silver Spring 10:44 PM

Telephone STerling 8100

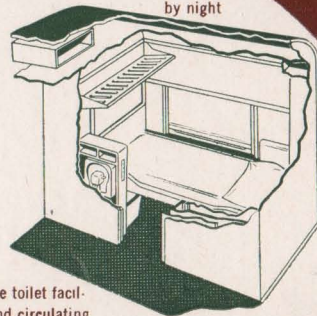
BALTIMORE & OHIO RAILROAD

Route of the Diesel Electric Streamliners

Roomette
by day

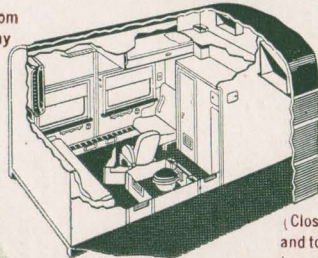


Roomette
by night

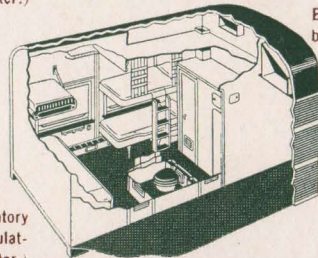


(Private toilet facilities and circulating drinking water.)

Bedroom
by day



Bedroom
by night



(Closed-off lavatory and toilet and circulating drinking water.)

